

BANDERIA, 23" ROUND CHANDELIER



PRODUCT DETAILS

| | | |
|-------------------------|---|---------------|
| No. | : | 30081-017 |
| Product Color | : | BRONZE |
| Product Material | : | METAL |
| Shade / Accent Colour | : | BRONZE/GOLD |
| Shade / Accent Material | : | METAL RIBBONS |
| Diameter | : | 22.5" |
| Height | : | 4.75" |
| Overall Height | : | 102.25" |
| Weight | : | 7.4lbs |


LIGHT SOURCE DETAILS

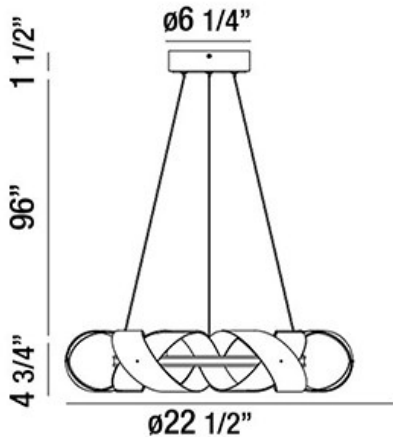
| | | |
|-------------------|---|----------------|
| Light Source Type | : | INTEGRATED LED |
| Input Voltage | : | 120V |
| Bulb Voltage | : | 120V |
| Total Wattage | : | 30W |
| Total Lumen | : | 2200lm |
| Kelvin | : | 3000K |
| CRI | : | 80+ |
| Dimmable | : | Yes |

Options Available

| ITEM NO. | FINISH | SHADE |
|-----------|--------|-------------|
| 30081-017 | BRONZE | BRONZE/GOLD |

TECHNICAL DETAILS

| | | |
|---------------------------|---|---|
| Light Direction | : | Down |
| Hanging Support Type | : | AIRCRAFT CABLE |
| Hanging Support Length | : | 96" |
| Canopy / Backplate Height | : | 1.5" |
| Canopy / Backplate Dia. | : | 6.25" |
| Adjustable Lamp Head | : | No |
| Location | : | DRY |
| Approval | : |  |



PROJECT INFORMATION

 Job Name: Date: Type:

 Comments: